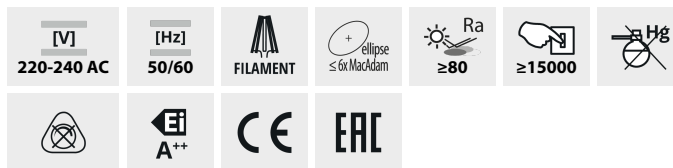






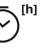


## XLED G45M

LED light source



XLED G45E14 4,5W, XLED G45E14 6W

		 [W]	 [lm]	 [lm]	 T <sub>c</sub> [K]	 [°]		 [h]
XLED G45E14 4,5W-WW-M	<b>29626</b>	4,5	40	470	2700	320	E14	15000
XLED G45E14 4,5W-NW-M	<b>29627</b>	4,5	40	470	4000	320	E14	15000
XLED G45 E14 6W-WW-M	<b>29628</b>	6	60	810	2700	320	E14	10000
XLED G45 E14 6W-NW-M	<b>29629</b>	6	60	810	4000	320	E14	10000
XLED G45E27 4,5W-WW-M	<b>29630</b>	4,5	40	470	2700	320	E27	15000
XLED G45E27 4,5W-NW-M	<b>29631</b>	4,5	40	470	4000	320	E27	15000
XLED G45 E27 6W-WW-M	<b>29632</b>	6	60	810	2700	320	E27	10000
XLED G45 E27 6W-NW-M	<b>29633</b>	6	60	810	4000	320	E27	10000

Kanlux XLED combines the best features of traditional bulbs and modern LED light sources. Therefore, we talk about it as the first real LED bulb. A mat bulb in the shape of a traditional “ball” and LED diodes placed in such a way so that light can part in all directions. You choose from sources with E27 and E14 light bulb bases.

- Lampshade material: glass

## XLED G45M

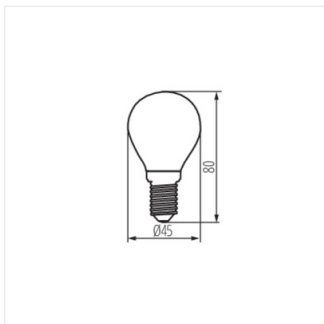
LED light source



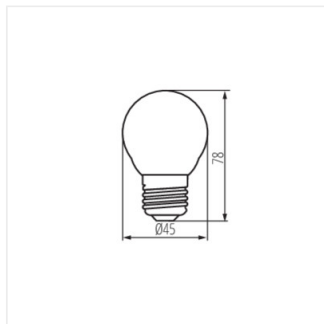
XLED G45E14 4,5W, XLED  
G45E14 6W



XLED G45E27 4,5W, XLED  
G45E27 6W



XLED G45E14 4,5W, XLED  
G45E14 6W



XLED G45E27 4,5W, XLED  
G45E27 6W