

## XLED C35

LED light source



XLED C35E14 2,5W

XLED C35E14 2,5W-WW	<b>29617</b>	2,5	25	250	2700	320	E14
XLED C35E14 4,5W-WW	<b>29618</b>	4,5	40	470	2700	320	E14
XLED C35E14 4,5W-NW	<b>29619</b>	4,5	40	470	4000	320	E14

Kanlux XLED combines the best features of traditional bulbs and modern LED light sources. Therefore, we talk about it as the first real LED bulb. A glass bulb in the shape of a traditional “candle” and LED diodes placed in such a way so that light can part in all directions, and the angle of light comes to even 320 degrees!

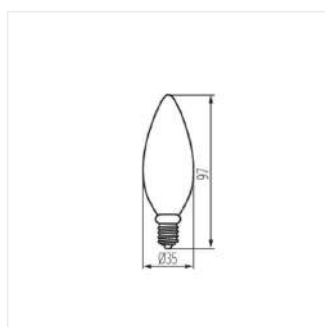
- Lampshade material: glass

## XLED C35

LED light source



XLED C35E14 4,5W



XLED C35E14 2,5W, XLED  
C35E14 4,5W